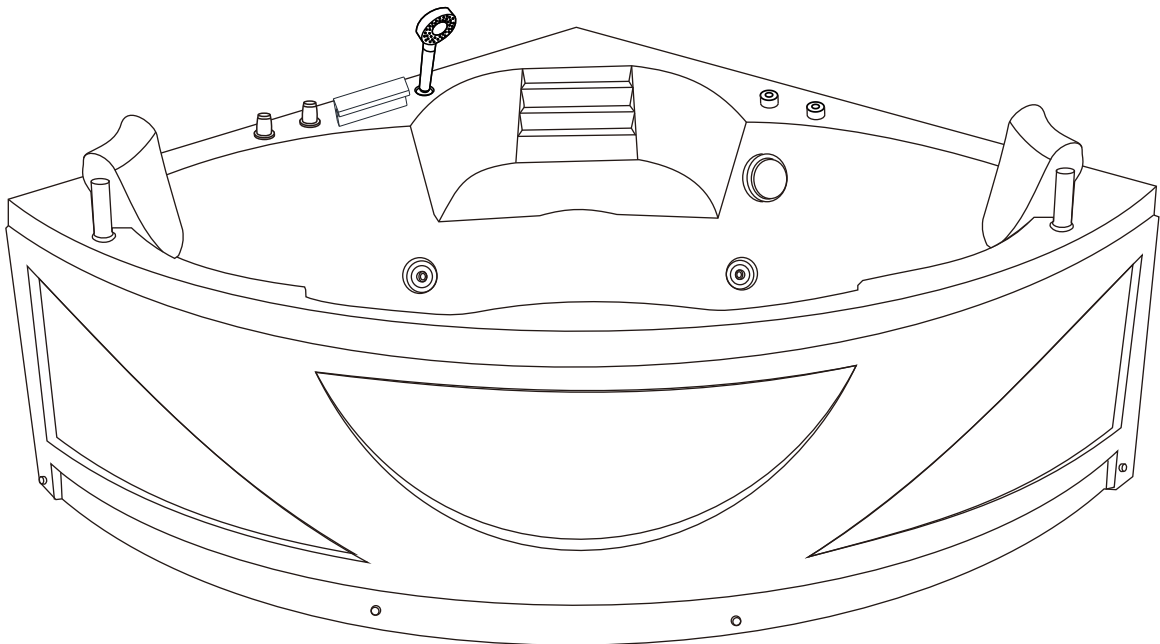


# INSTALLATION MANUAL



**C-425**

**1500X1500X590MM**

