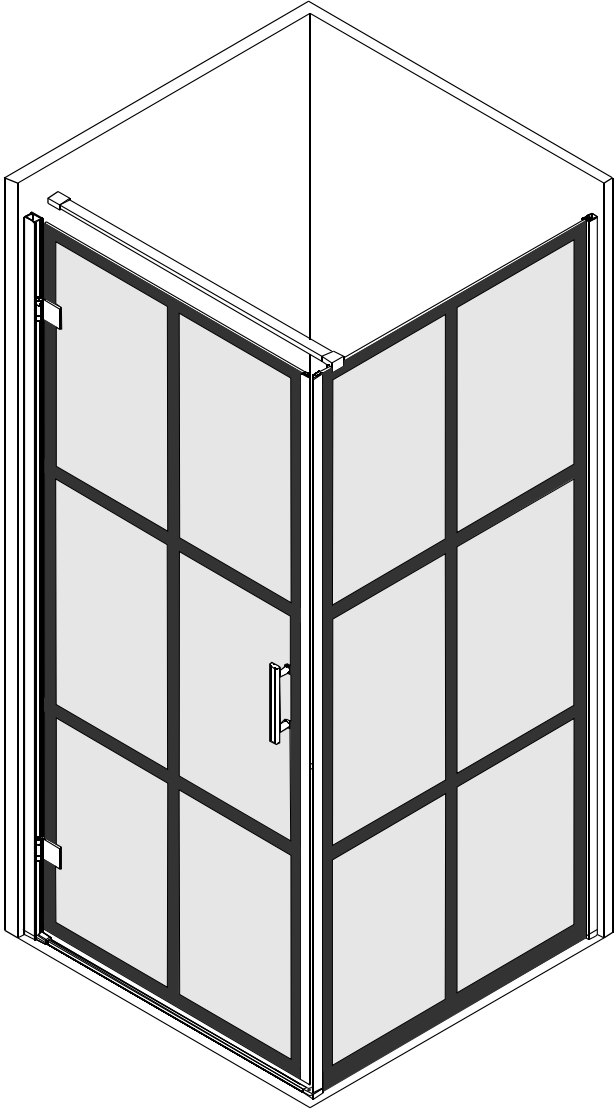
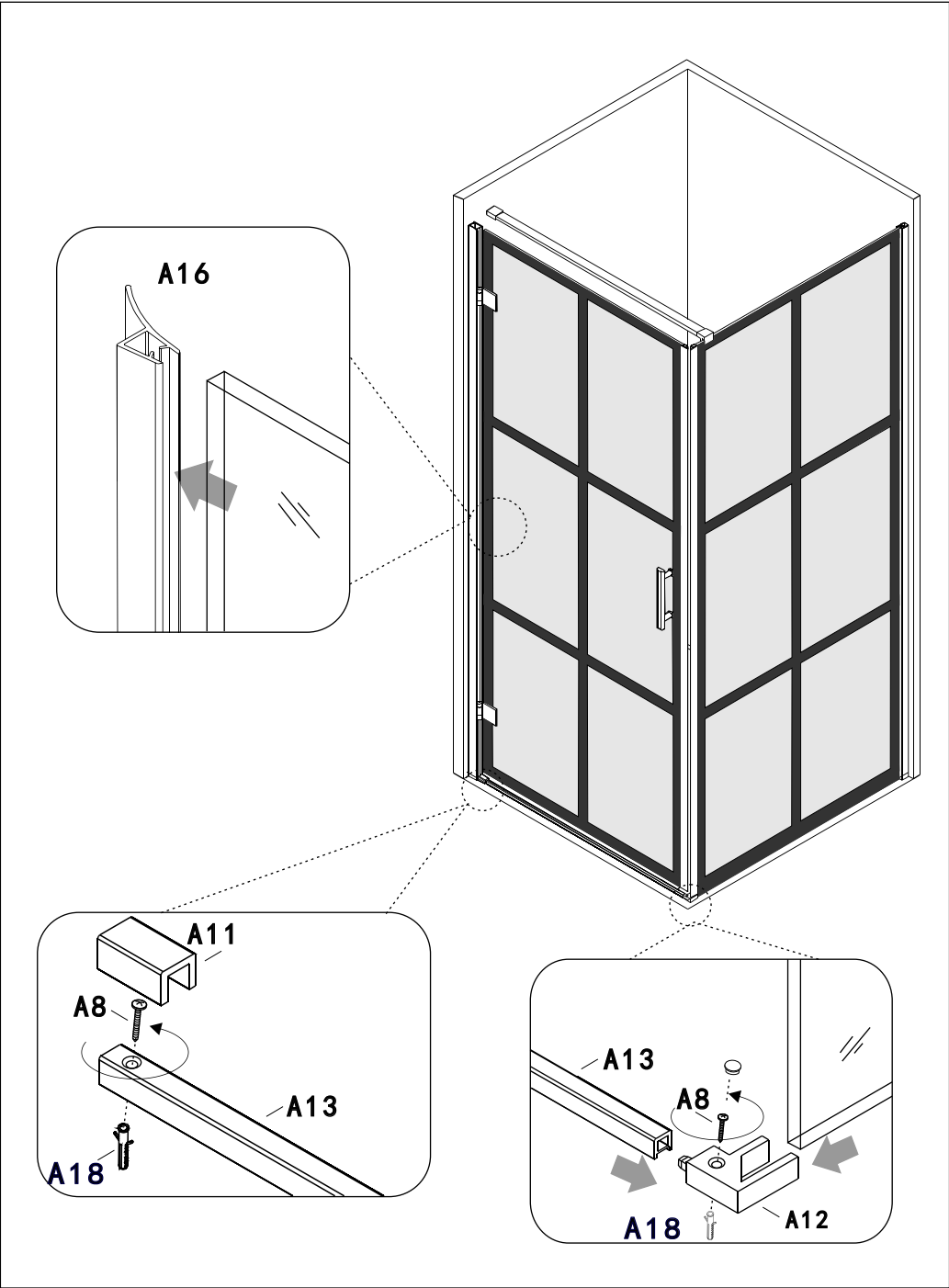


INSTALLATION MANUAL



PF-94

PF-94-100

