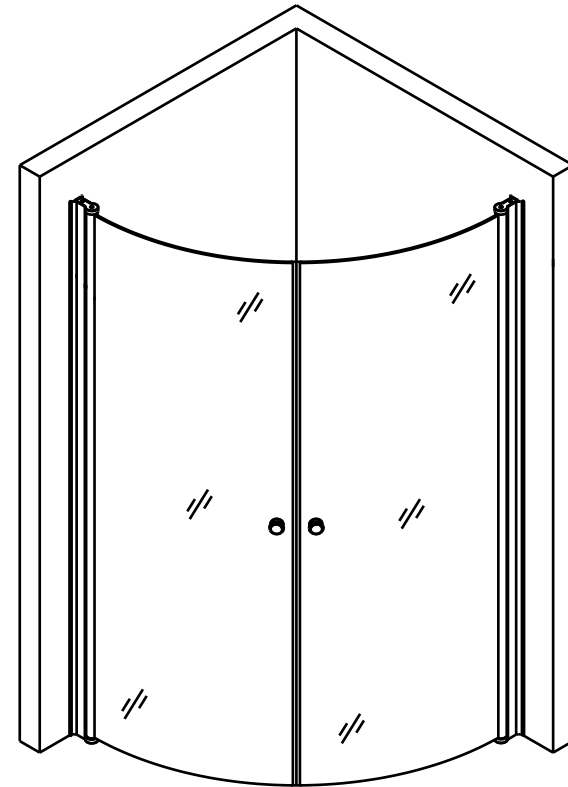


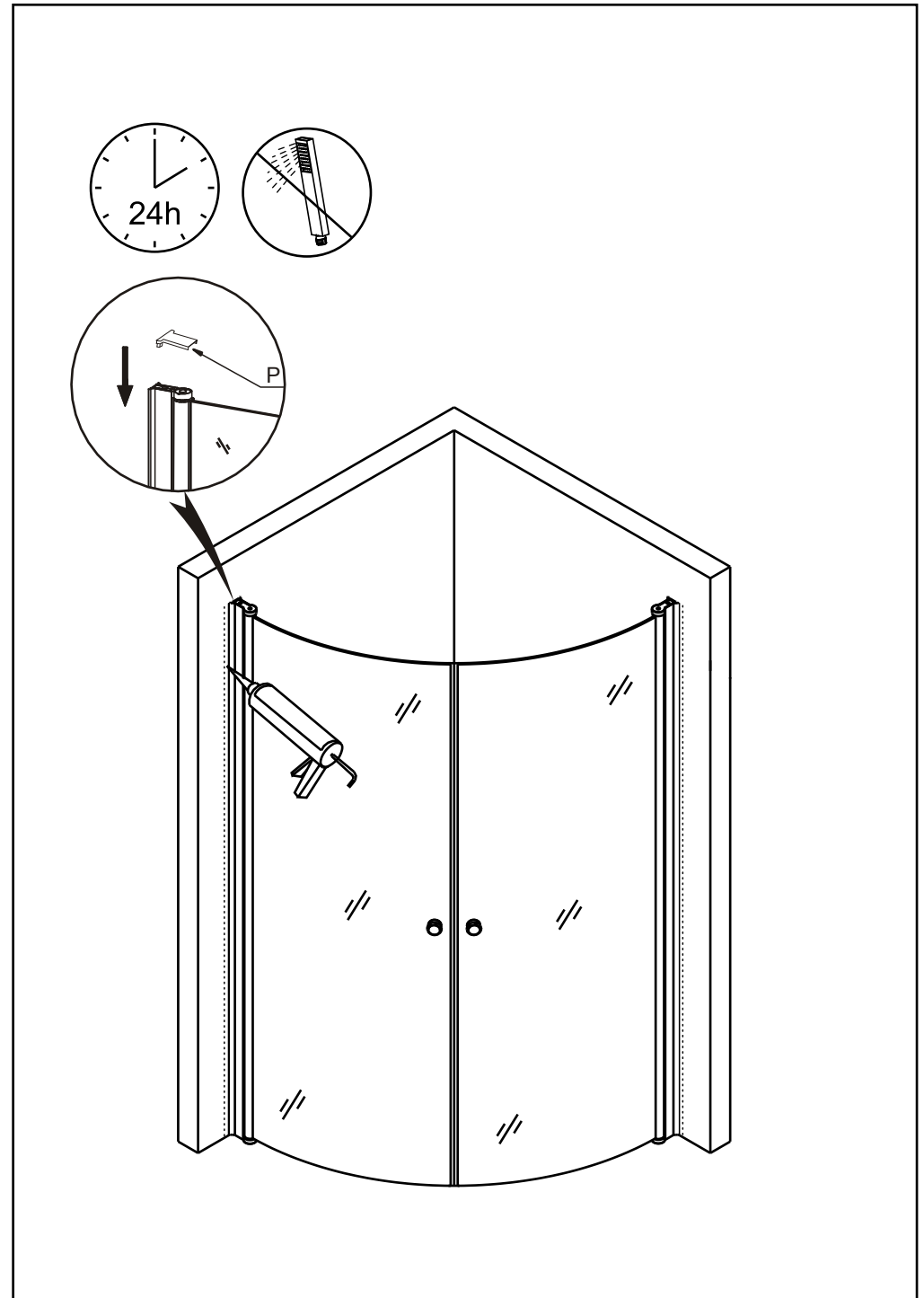
USE INSTRUCTION HANDBOOK

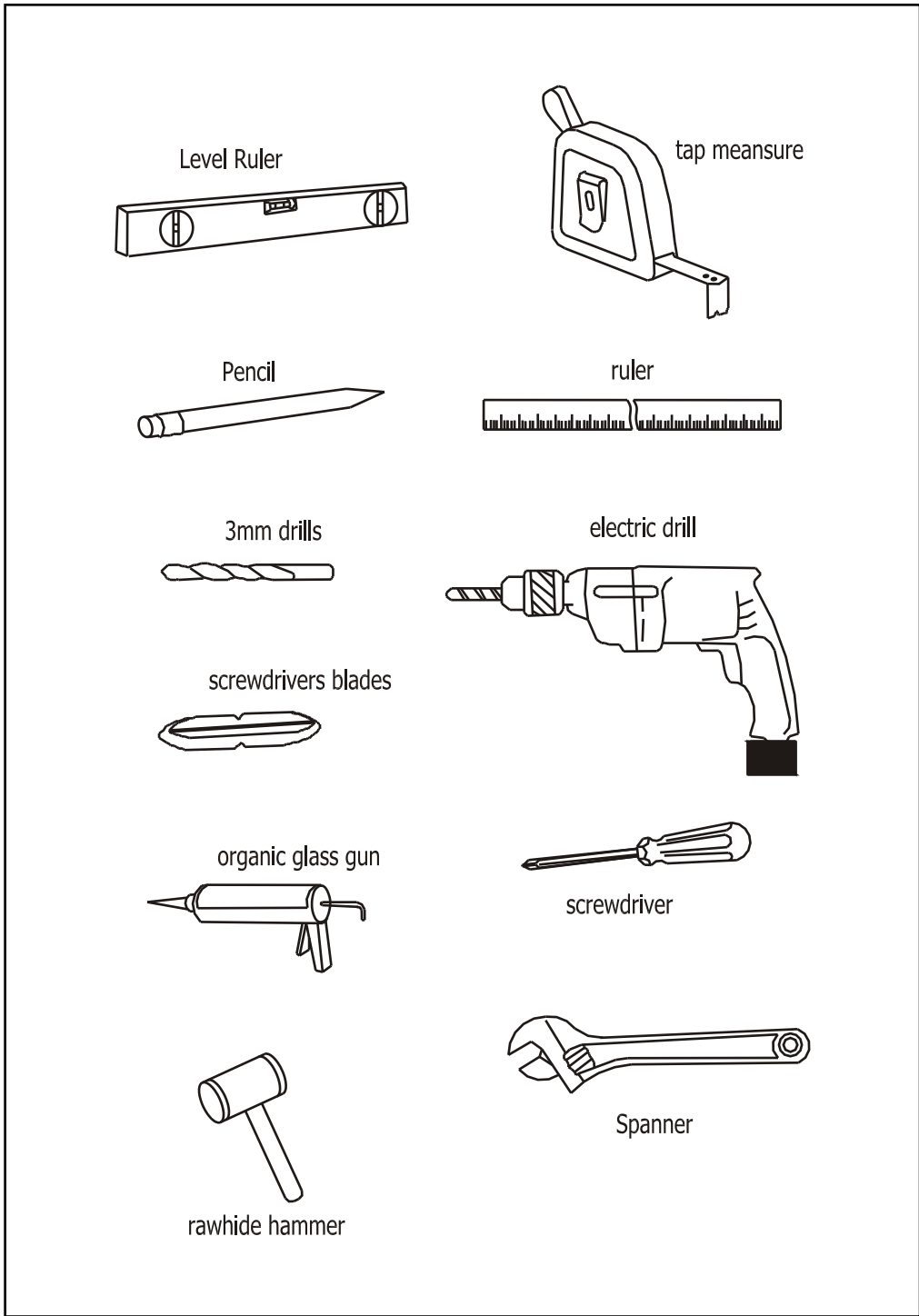
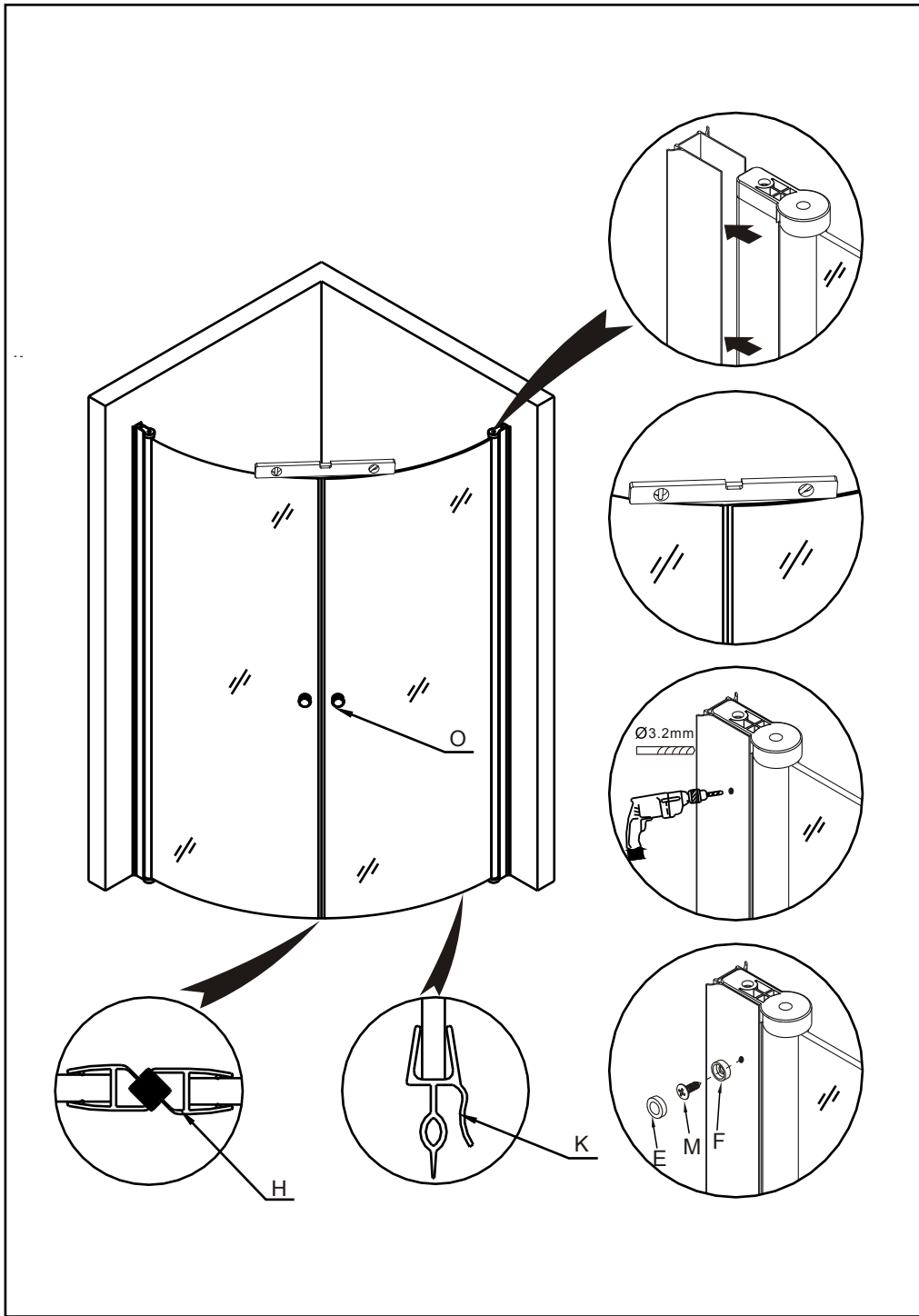


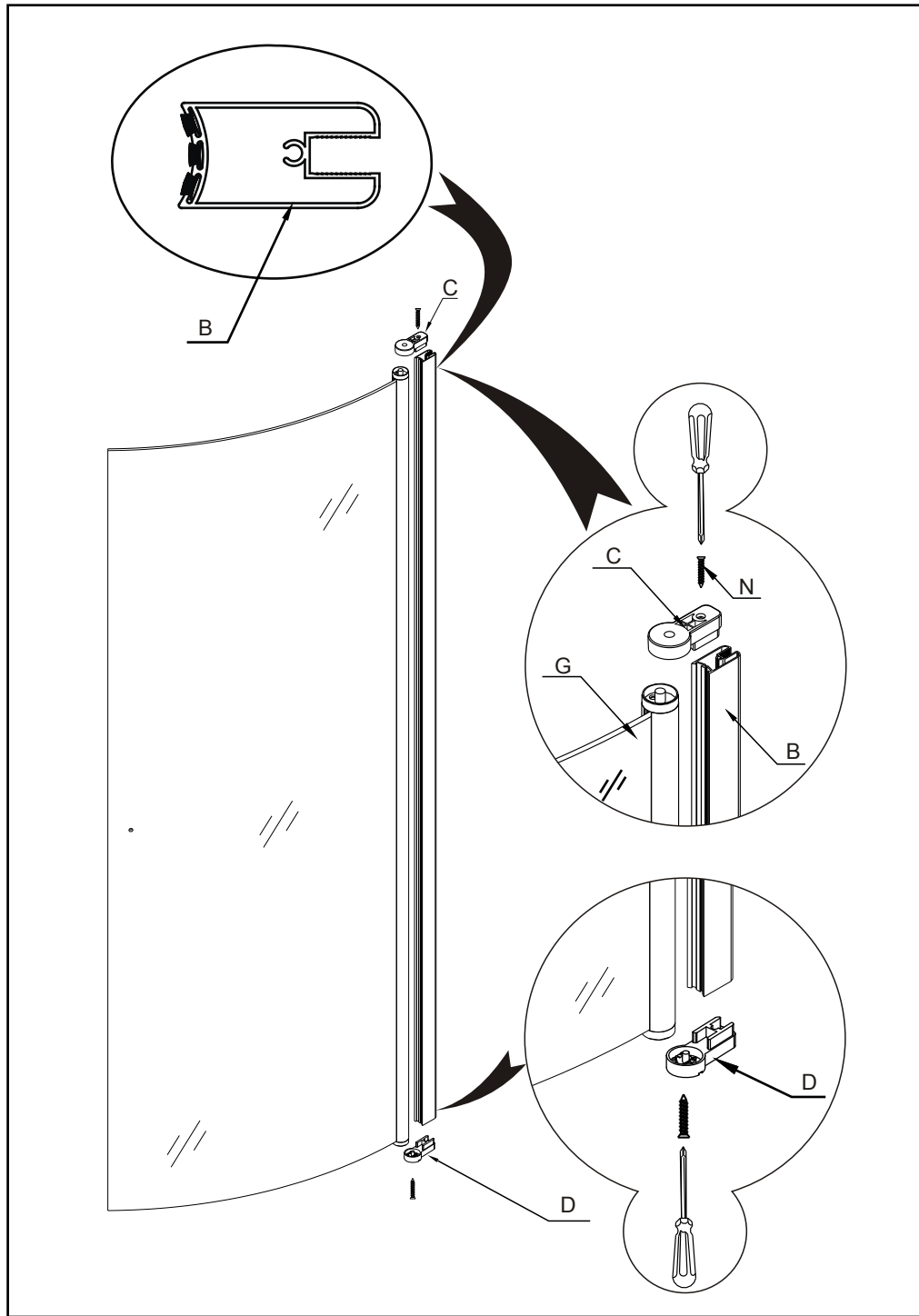
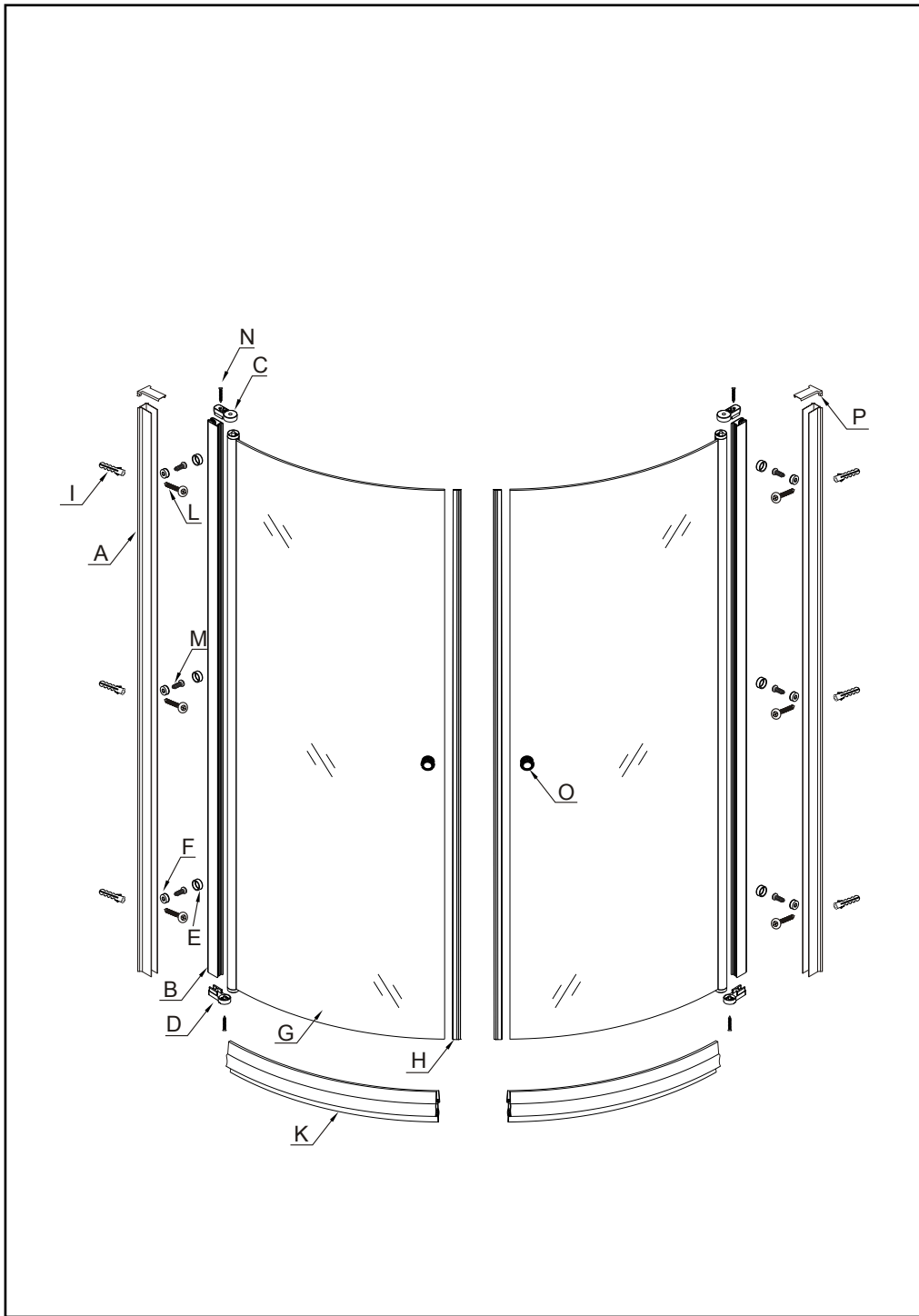
MODEL:A1011

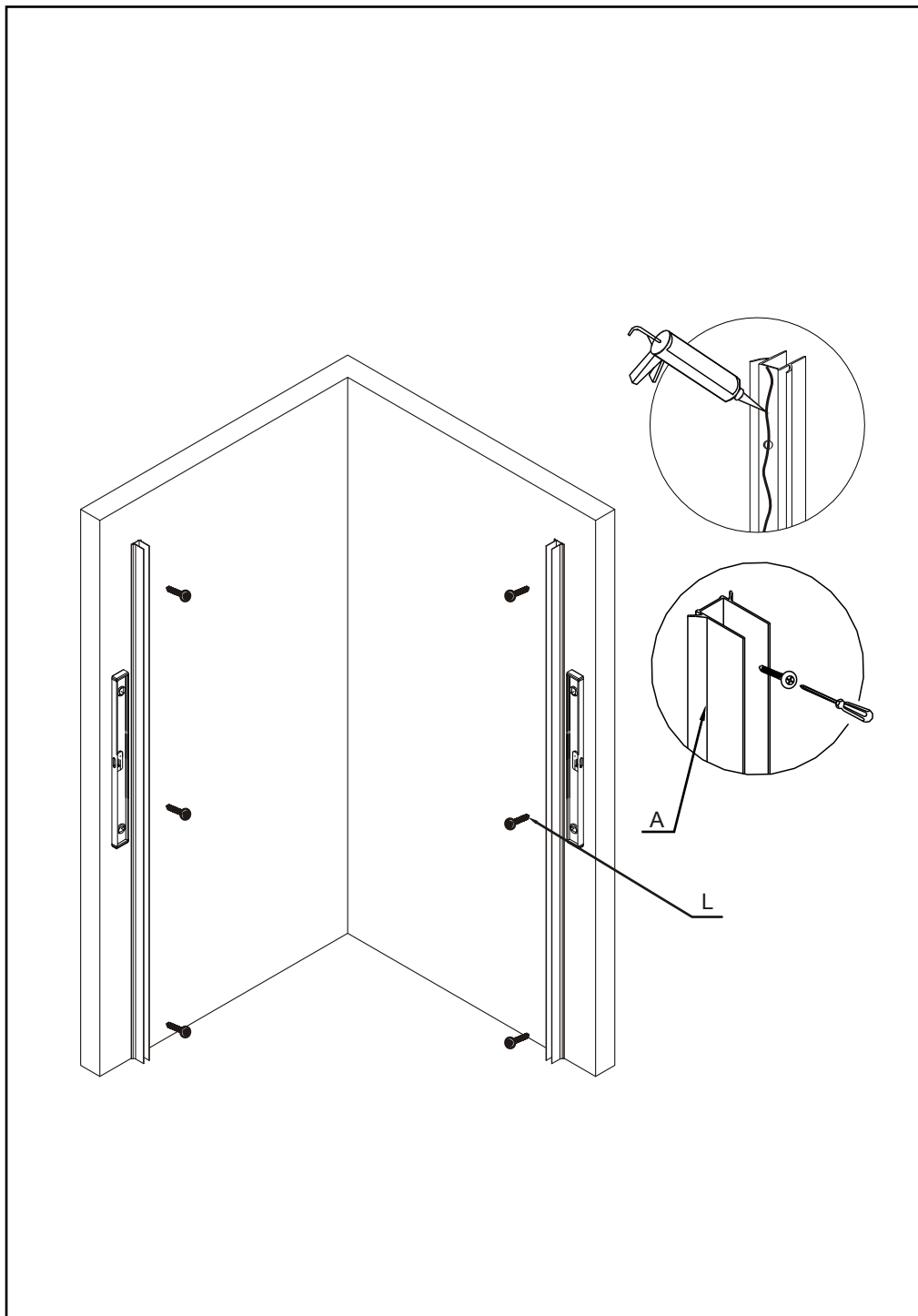
Notes for Use

1. Opening and closing the door more gently to avoid the human error damage. Oil it every month to make it sliding smoothly.
2. Using Acid or alkali solution, knife to scrape the shower room are strictly forbidden. Clean, Care and Maintenance it in performed periodically
3. Don't let the child or Persons with physical disabilities to take shower alone.
4. Don't climb the shower room or handing heavy things on it
5. This board is Acrylic which will be turn soft when the temperture over 80 centidegreen, so,please keep below it. Suggestion letout cold water before hot water.
6. Because the Acrylic surface hardness is similar like alumimum alloy, please notice the surface protect when pick-and-place it. Can use 2000# water polishing with nubuck leather, then use tooth paste with siik to make it flat when its damaged.
7. ,Under normal pressure of water it few to let water out when using it, should washing the faucet Valve often and check it if there is block of junk.
8. Put on the silicon sealant in time in case of water leakage.
9. The use of a shower door will be opened to maintain ventilation to avoid moldy smell in the room during the long-term.
10. Cross screw driver with moving pulley bearings on the vertical part of the adjustment screw to regulate the activities of the glass up or down, to the appropriate location.
11. If in the course of the activities of the door there is the phenomenon of the gap or down, use a screwdriver or a hexagonal wrench, or adjust pulley hinge so that the activities of the door up or down, adjusting to the appropriate location.
12. After installation, using the framework of transparent glass and plastic will be a combination of the end part of the closed basin, and then use a neutral detergent to clean aluminum and glass to make it bright and smooth.

















Spareparts			
serial NO.	Name	Rendering	Qty.
A	wall profile		2
B	door profile		2
C	Hinge up		2
D	Hinge down		2
E	Screw cap outside		6
F	Screw cap inside		6
G	glass door		2
H	magnetic strip		1

Spareparts

serial NO.	Name	Rendering	Qty.
I	Expansion plug		6
J	twist drill 3,2		1
K	down weather bar		2
L	screw ST4x30mm		6
M	screw ST4x12mm		6
N	screw ST4.2x25mm		4
O	Handle		2
P	Cover		2

