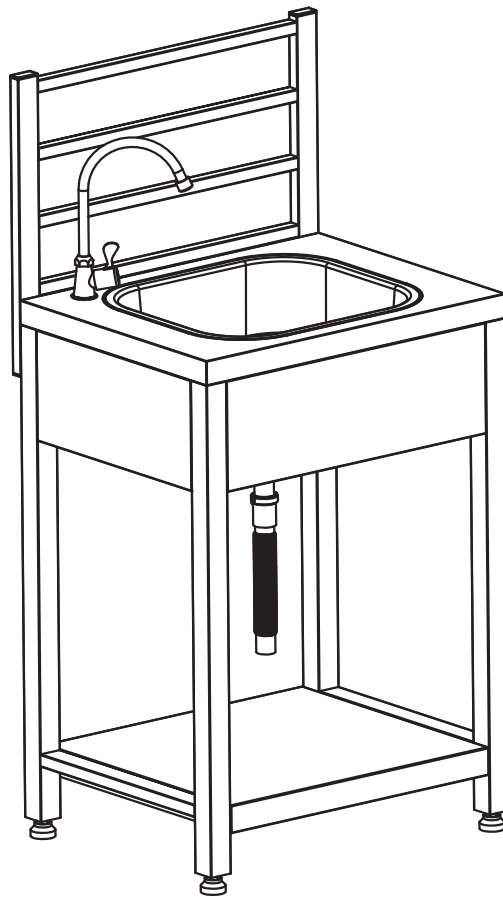


Sweden

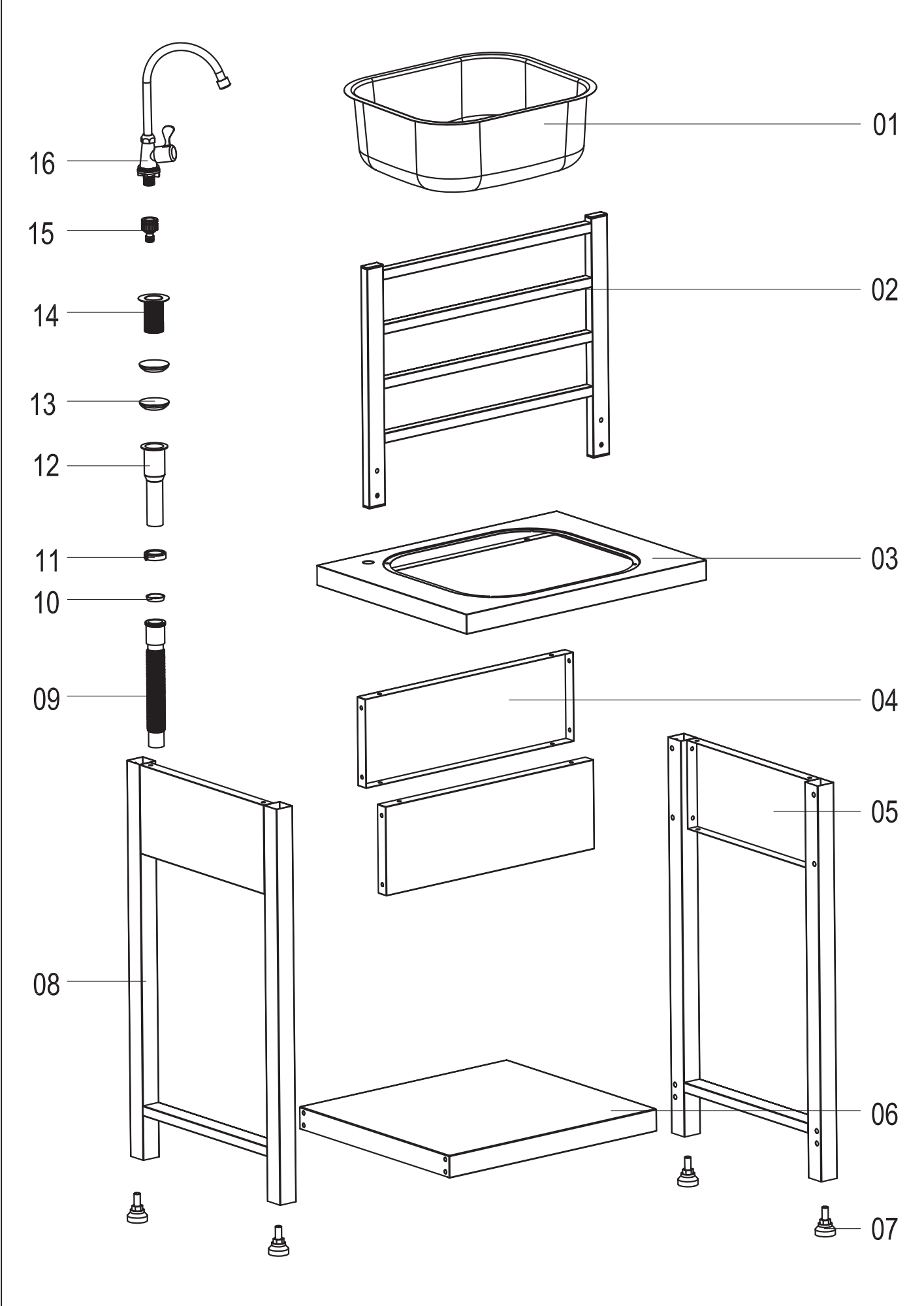
BBO LIFE


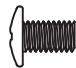




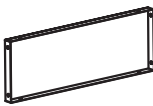



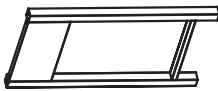








since 2019

OWNER'S MANUAL

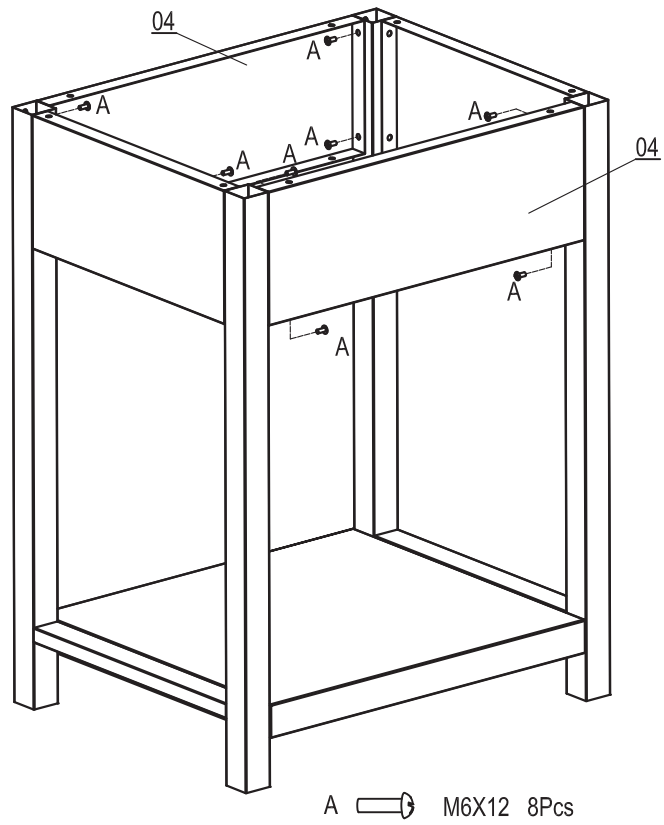


Please read this user manual before using this table and
keep it safe for future reference

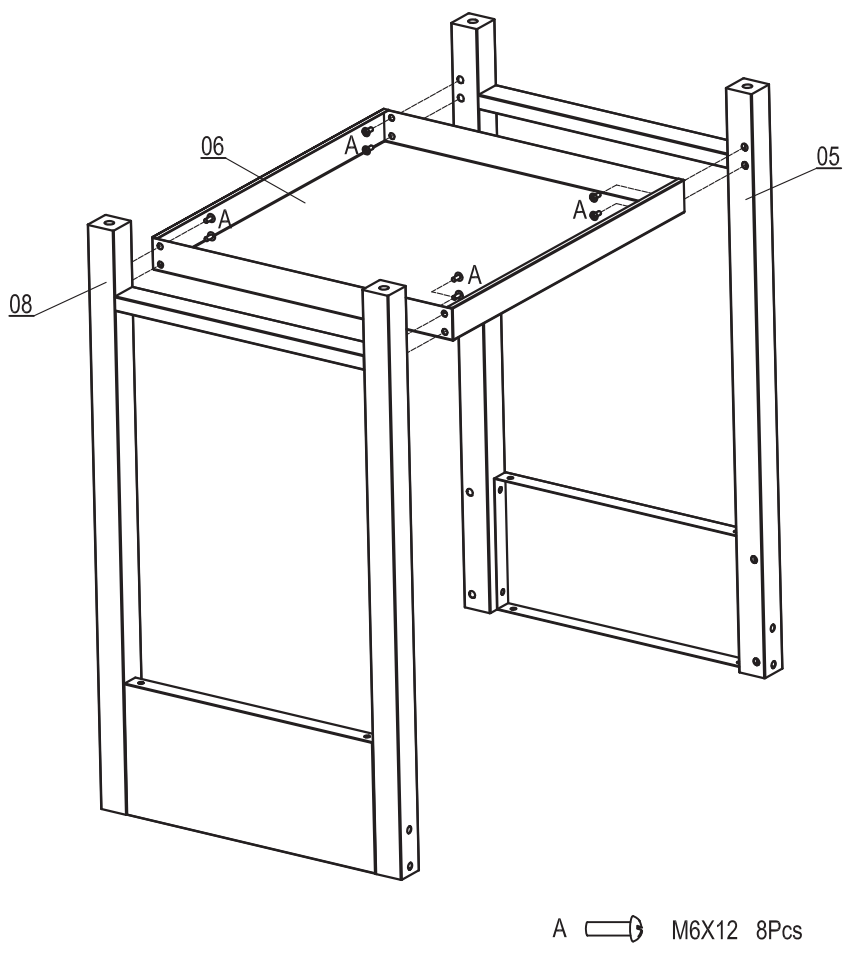


NO.	Description	Figure	QTY	NO.	Description	Figure	QTY
01	Sink		1	A	M6X12		24
02	Rear Bumper		1	B	M4Nut		4
03	Sink Table		1	C	M6X30		4
04	Frame Upper Bracket		2				
05	Right Leg Assembly		1				
06	Bottom Panel		1				
07	Mats		4				
08	Lift Leg Assembly		1				
09	Strainer A		1				
10	Seal Ring 1		1				
11	Fixed Parts 1		1				
12	Strainer B		1				
13	Seal Ring 2		2				
14	Fixed Parts 2		1				
15	Joint		1				
16	Faucet		1				

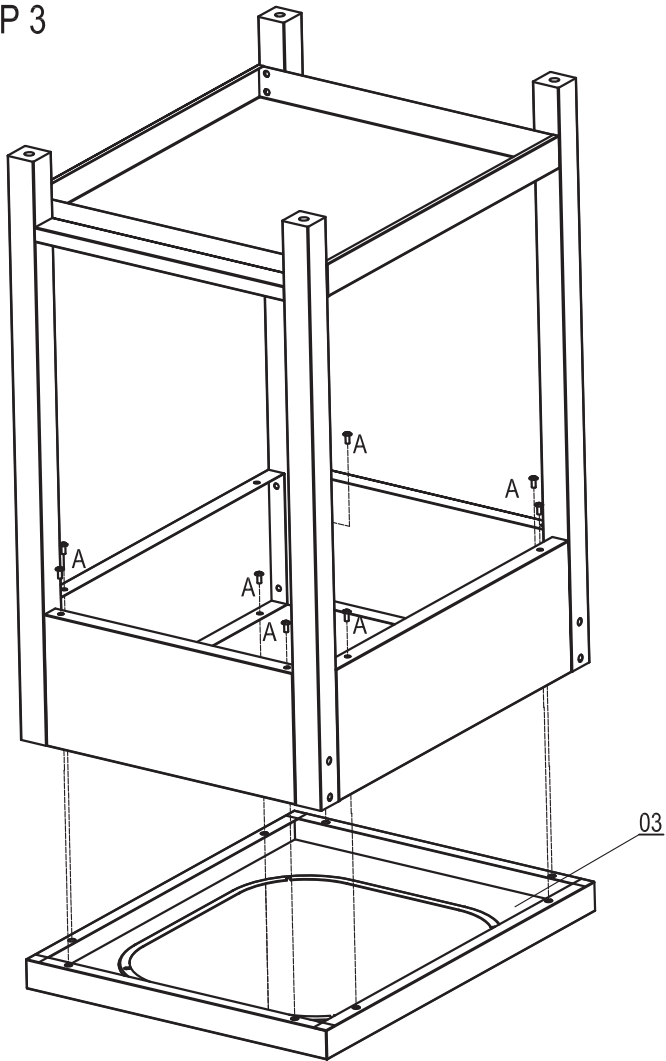
STEP 1



STEP 2

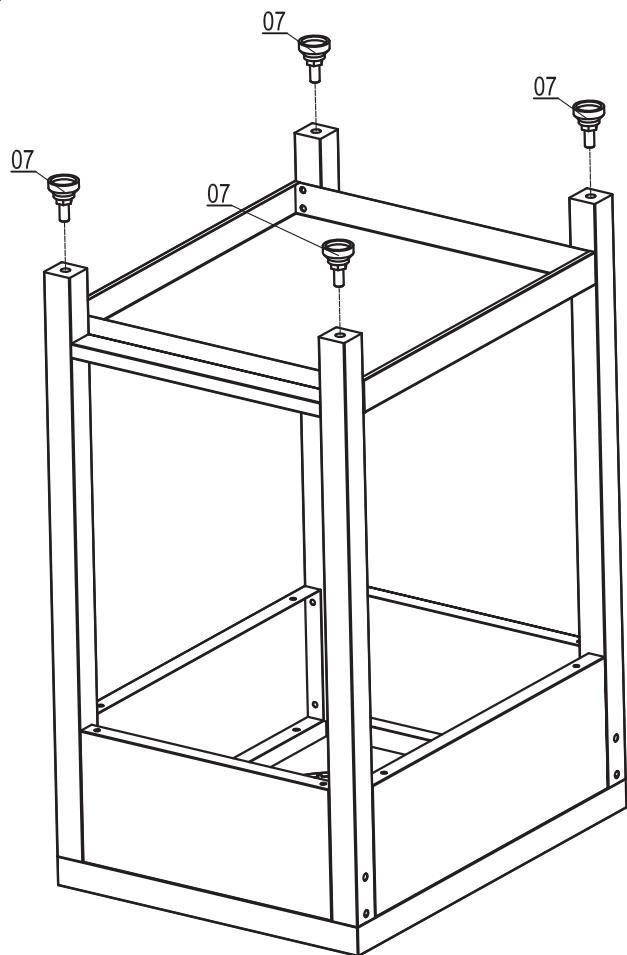


STEP 3



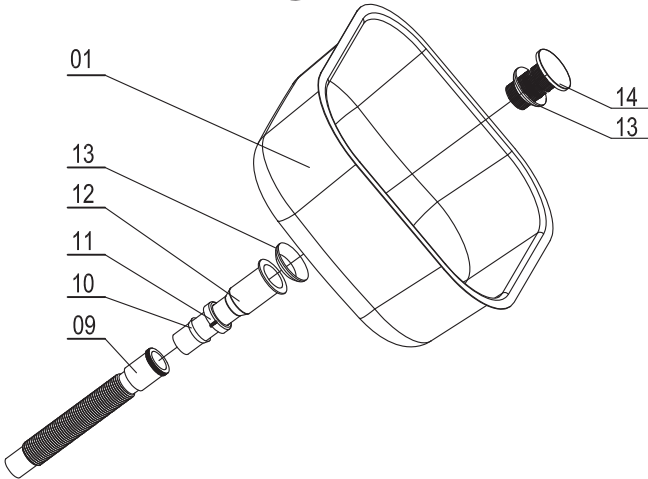
A  M6X12 8Pcs

STEP 4

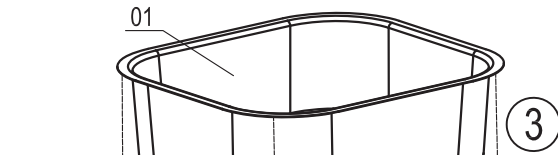
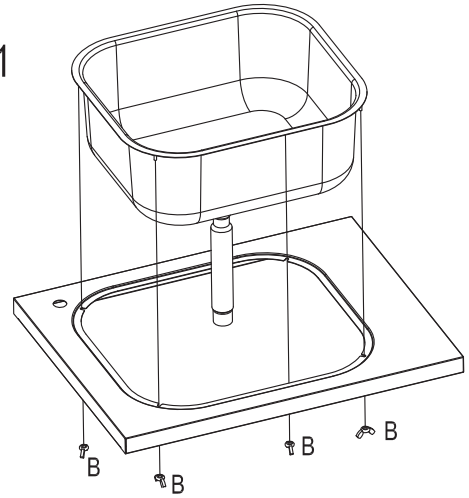


STEP 5

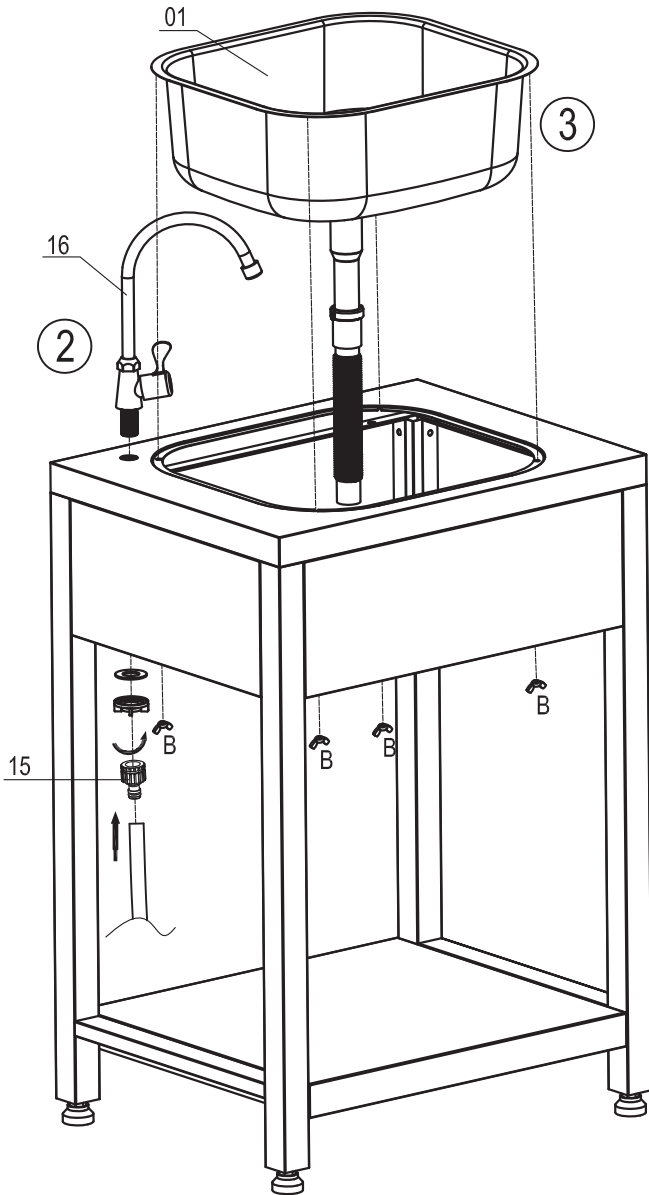
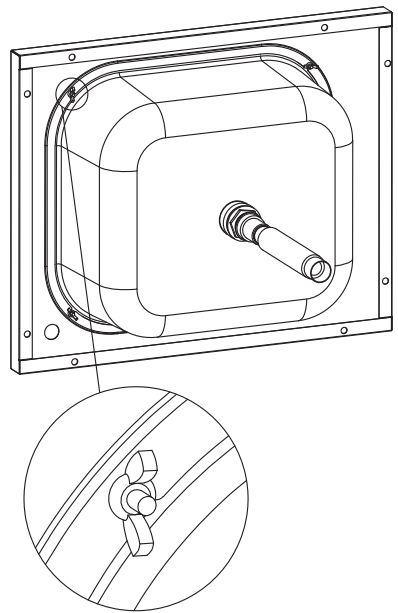
①



③-1

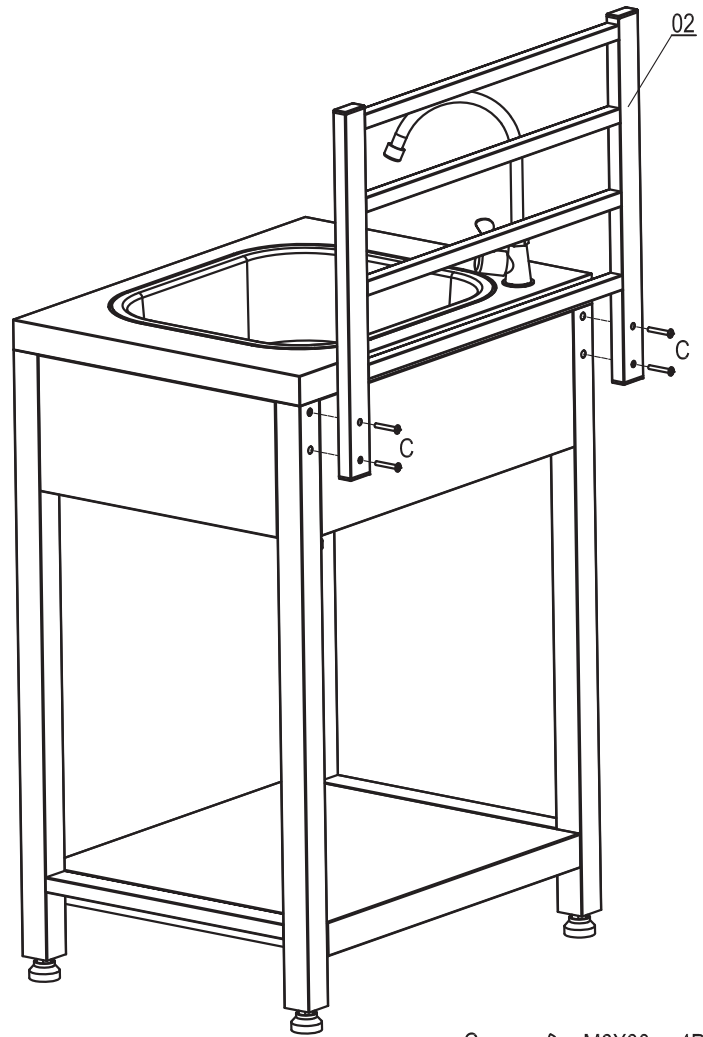


③-2

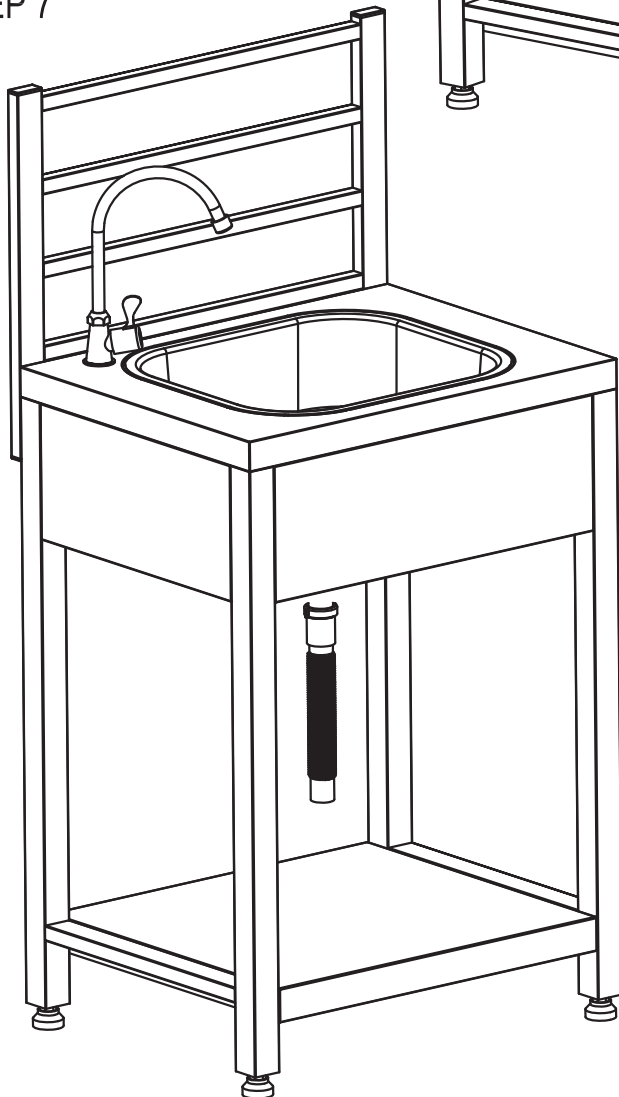


B  M4Nut 4Pcs

STEP 6



STEP 7



C  M6X30 4Pcs